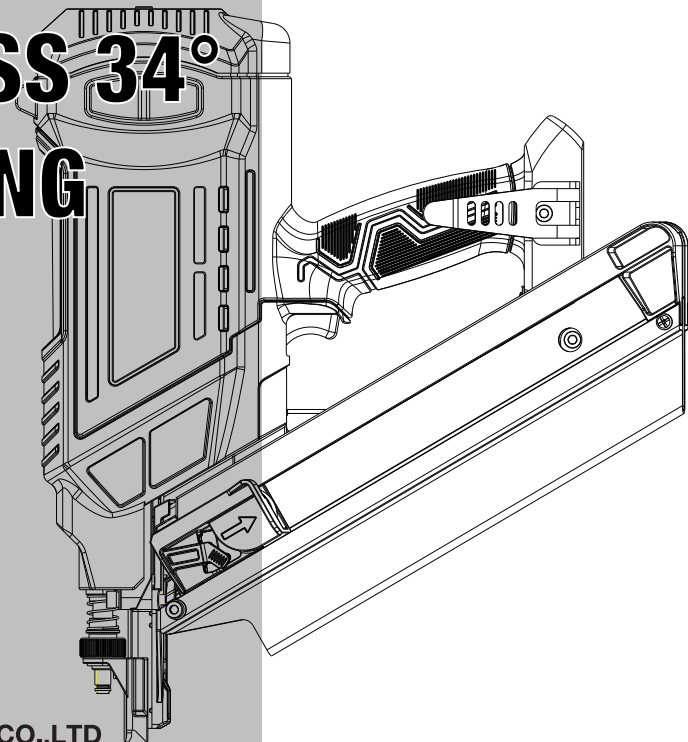


FREEMAN

FREEMAN

MODEL: LD34100

20V CORDLESS BRUSHLESS 34° 4" FRAMING NAILER



- GLOBAL LINK (SHANGHAI)CO.,LTD
- WWW.FREEMANTOOLS.COM



WARNING:

Failure to follow warnings could result in DEATH OR SERIOUS INJURY.

Save the manual for future reference. Keep your dated proof of purchase for warranty purpose.



- GLOBAL LINK (SHANGHAI)CO.,LTD
- WWW.FREEMANTOOLS.COM

| | |
|------------------------------------|--------|
| SYMBOLS | 02 |
| GENERAL SAFETY INSTRUCTIONS | 02 -03 |
| NAILER SAFETY | 04 -06 |
| FEATURES | 06 |
| SPECIFICATIONS | 06 |
| OPERATION | 06-10 |
| REMOVING BATTERY PACK | 07 |
| ATTACH BELT HOOK | 07 |
| LOADING FASTENERS | 07 |
| DEPTH ADJUSTMENT | 08 |
| REFILLING THE AIR TANK PRESSURE | 08 |
| SETTING TOOL FIRING MODE | 08 |
| LED WORK-LIGHT | 09 |
| DRIVING NAILS AT AN ANGLE | 09 |
| CLEARING JAMS | 09 |
| BATTERIES / BATTERY PACK RECYCLING | 10 |
| MAINTENANCE | 10 |
| TROUBLESHOOTING | 11 |
| WARRANTIES | 12 |
| NOTES | 13 |

 **WARNING**

The warning and precautions discussed in this manual cannot cover all possible conditions and situations that may occur. Please be aware of the potential hazards and take all necessary precautions to avoid risk of injuries.



 **SAVE THIS MANUAL**

- Keep this manual for the safety warnings, precautions, operations, inspections, and maintenance information. Store this manual and the receipt in a safe and dry place for future reference.

▲ WARNING:
To avoid serious personal injury, do not attempt to use this product until you read the manual thoroughly and understand it completely. Save this manual and review it frequently for safe operation and instructing others who may use this tool.

SYMBOLS

- In this manual, on the labels, packages and all other information provided with this tool, the following signal words and meanings are intended to explain the levels of risk associated with this tool.

| SYMBOLS | SIGNAL | MEANING |
|---|----------|--|
|  | WARNING: | Indicates a potentially hazardous situation, which, if not avoided, could result in death or serious injury. |
|  | CAUTION: | Indicates a potentially hazardous situation, which, if not avoided, may result in minor or moderate injury. |
| | CAUTION: | (Without symbol) Indicates a situation that may result in property damage. |

GENERAL SAFETY INSTRUCTIONS

CALIFORNIA PROPOSITION 65

▲ WARNING:
 This product can expose you to chemicals including lead, which is known to the State of California to cause cancer and other birth defects or other reproductive harm. For more information go to www.P65Warnings.ca.gov.

WORK AREA SAFETY

- **Keep work area clean and well lit.** Cluttered or dark areas invite accidents.
- **Do not operate power tools in explosive atmospheres, such as in the presence of flammable liquids, gases or dust.** Power tools create sparks which may ignite the dust or fumes.
- **Keep children and bystanders away while operating a power tool.** Distractions can cause you to lose control.

ELECTRICAL SAFETY

- **Power tool plugs must match the outlet.** Never modify the plug in any way. Do not use any adapter plugs with earthed (grounded) power tools. Unmodified plugs and matching outlets will reduce risk of electric shock.
- **Avoid body contact with earthed or grounded surfaces such as pipes, radiators, ranges and refrigerators.** There is an increased risk of electric shock if your body is earthed or grounded.

- **Do not expose power tools to rain or wet conditions.** Water entering a power tool will increase the risk of electric shock.
- **Do not abuse the cord.** Never use the cord for carrying, pulling or unplugging the power tool. Keep cord away from heat, oil, sharp edges or moving parts. Damaged or entangled cords increase the risk of electric shock.
- **When operating a power tool outdoors, use an extension cord suitable for outdoor use.** Use of a cord suitable for outdoor use reduces the risk of electric shock.
- **If operating a power tool in a damp location is unavoidable, use a ground fault circuit interrupter (GFCI) protected supply.** Use of a GFCI reduces the risk of electric shock.
- **Use battery only with charger listed.**

PERSONAL SAFETY

- **Stay alert, watch what you are doing and use common sense when operating a power tool.** Do not use a power tool while you are tired or under the influence of drugs, alcohol or medication. A moment of inattention while operating power tools may result in serious personal injury.
- **Use personal protective equipment.** Always wear eye protection. Protective equipment such as dust mask, non-skid safety shoes, hard hat, or hearing protection used for appropriate conditions will reduce personal injuries.

- **Prevent unintentional starting.** Ensure the switch is in the off-position before connecting to power source and/or battery pack, picking up or carrying the tool. Carrying power tools with your finger on the switch or energizing power tools that have the switch on invites accidents.
- **Remove any adjusting key or wrench before turning the power tool on.** A wrench or a key left attached to a rotating part of the power tool may result in personal injury.
- **Do not overreach.** Keep proper footing and balance at all times. This enables better control of the power tool in unexpected situations.
- **Dress properly.** Do not wear loose clothing or jewelry. Keep your hair, clothing and gloves away from moving parts. Loose clothes, jewelry or long hair can be caught in moving parts.
- **If devices are provided for the connection of dust extraction and collection facilities, ensure these are connected and properly used.** Use of dust collection can reduce dust-related hazards.
- **Do not wear loose clothing or jewelry.** Contain long hair. Loose clothes, jewelry, or long hair can be drawn into air vents.
- **Do not use on a ladder or unstable support.** Stable footing on a solid surface enables better control of the power tool in unexpected situations.

POWER TOOL CARE AND USE

- **Do not force the power tool.** Use the correct power tool for your application. The correct power tool will do the job better and safer at the rate for which it was designed.
- **Do not use the power tool if the switch can not turn it on and off.** Any power tool that cannot be controlled with the switch is dangerous and must be repaired.
- **Disconnect the plug from the power source and/or the battery pack from the power tool before making any adjustments, changing accessories, or storing power tools.** Such preventive safety measures reduce the risk of starting the power tool accidentally.
- **Store idle power tools out of the reach of children and do not allow persons unfamiliar with the power tool or these instructions to operate the power tool.** Power tools are dangerous in the hands of untrained users.

- **Maintain power tools.** Check for misalignment or binding of moving parts, breakage of parts and any other condition that may affect the power tool's operation. If damaged, have the power tool repaired before use. Many accidents are caused by poorly maintained power tools.
- **Keep cutting tools sharp and clean.** Properly maintained cutting tools with sharp cutting edges are less likely to bind and are easier to control.
- **Use the power tool, accessories and tool bits etc. in accordance with these instructions, considering the working conditions and the work to be performed.** Use of the power tool for operations different from those intended could result in a hazardous situation.

BATTERY TOOL USE AND CARE

- **Recharge only with the charger specified by the manufacturer.** A charger that is suitable for one type of battery pack may create a risk of fire when used with another battery pack.
- **Use power tools only with specifically designated battery packs.** Use of any other battery packs may create a risk of injury and fire.
- **When battery pack is not in use, keep it away from other metal objects, like paper clips, coins, keys, nails, screws or other small metal objects, that can make a connection from one terminal to another.** Shorting the battery terminals together may cause burns or a fire.
- **Under abusive conditions, liquid may be ejected from the battery; avoid contact.** If contact accidentally occurs, flush with water. If liquid contacts eyes, additionally seek medical help. Liquid ejected from the battery may cause irritation or burns.

SERVICE

- **Have your power tool serviced by a qualified repair person using only identical replacement parts.** This will ensure that the safety of the power tool is maintained.

NAILER SAFETY

- **Always assume that the tool contains fasteners.** Careless handling of the nailer can result in unexpected firing of fasteners and personal injury.
- **Do not point the tool towards yourself or anyone nearby.** Unexpected triggering will discharge the fastener causing an injury.
- **Do not actuate the tool unless the tool is placed firmly against the workpiece.** If the tool is not in contact with the workpiece, the fastener may be deflected away from your target.
- **Disconnect the tool from the power source when the fastener jams in the tool.** While removing a jammed fastener, the nailer may be accidentally activated if it is plugged in.
- **Use caution while removing a jammed fastener.** The mechanism may be under compression and the fastener may be forcefully discharged while attempting to free a jammed condition.
- **Do not use this nailer for fastening electrical cables.** It is not designed for electric cable installation and may damage the insulation of electric cables thereby causing electric shock or fire hazards.
- **Hold power tool by insulated gripping surfaces, when performing an operation where the nail may contact hidden wiring.** Nails contacting a "live" wire may make exposed metal parts of the power tool "live" and could give the operator an electric shock.
- **Know your power tool.** Read operator's manual carefully. Learn its applications and limitations, as well as the specific potential hazards related to this power tool. Following this rule will reduce the risk of electric shock, fire, or serious injury.
- **Keep fingers away from trigger when not driving fasteners to avoid accidental firing.**
- **Use safety equipment.** Always wear eye protection. Dust mask, nonskid safety shoes, hard hat, or hearing protection must be used for appropriate conditions.
- **Protect your lungs.** Wear a face or dust mask if the operation is dusty. Following this rule will reduce the risk of serious personal injury.
- **Always wear eye protection with side shields marked to comply with ANSI Z87.1.** Everyday glasses have only impact resistant lenses. They are not safety glasses. Following this rule will reduce the risk of serious personal injury. Eye protection which conforms to ANSI specifications and provides protection against flying particles both from the FRONT and SIDE should ALWAYS be worn by the operator and others in the work area when loading, operating or servicing this tool. Eye protection is required to guard against flying fasteners and debris, which could cause severe eye injury.
- **The employer and/or user must ensure that proper eye protection is worn.** We recommend Wide Vision Safety Mask for use over eyeglasses or standard safety glasses that provide protection against flying particles both from the front and side. Always use eye protection which is marked to comply with ANSI Z87.1.
- **Additional safety protection will be required in some environments.** For example, the working area may include exposure to noise level which can lead to hearing damage. The employer and user must ensure that any necessary hearing protection is provided and used by the operator and others in the work area. Some environments will require the use of head protection equipment. When required, the employer and user must ensure that head protection conforming to ANSI Z89.1-1997 is used.
- **Protect your hearing.** Wear hearing protection during extended periods of operation. Following this rule will reduce the risk of serious personal injury.
- **Battery tools do not have to be plugged into an electrical outlet; therefore, they are always in operating condition.** Be aware of possible hazards when not using your battery tool or when changing accessories. Following this rule will reduce the risk of electric shock, fire, or serious personal injury.

- **Do not place battery tools or their batteries near fire or heat.** This will reduce the risk of explosion and possibly injury.
- **Do not crush, drop or damage battery pack.** Do not use a battery pack or charger that has been dropped or received a sharp blow. A damaged battery is subject to explosion. Properly dispose of a dropped or damaged battery immediately.
- **Batteries can explode in the presence of a source of ignition, such as a pilot light.** To reduce the risk of serious personal injury, never use any cordless product in the presence of open flame. An exploded battery can propel debris and chemicals. If exposed, flush with water immediately.
- **Do not charge battery tool in a damp or wet location.** Following this rule will reduce the risk of electric shock.
- **For best results, your battery tool should be charged in a location where the temperature is more than 50°F but less than 100°F.** Do not store outside or in vehicles.
- **Under extreme usage or temperature conditions, battery leakage may occur.** If liquid comes in contact with your skin, wash immediately with soap and water. If liquid gets into your eyes, flush them with clean water for at least 10 minutes, then seek immediate medical attention. Following this rule will reduce the risk of serious personal injury.
- **Use the tool only for its intended use.** Do not discharge fasteners into open air.
- **Use only the nails recommended for this tool.** Use of the wrong nails could result in poor nail feeding, jammed nails, and nails leaving the tool at erratic angles. If nails are not feeding smoothly and properly, discontinue their use immediately. Jammed and improperly feeding nails could result in serious personal injury.
- **Never use this tool in a manner that could cause a nail to be directed toward anything other than the workpiece.**
- **Do not use the tool as a hammer.**
- **Always carry the tool by the handle.**
- **Do not alter or modify this tool from the original design or function without approval from the manufacturer.**

- **Be aware that misuse and improper handling of this tool can cause injury to yourself and others.**
- **Never clamp or tape the trigger or workpiece contact in an actuated position.**
- **Never leave tool unattended if the battery is installed.**
- **Do not operate this tool if it does not contain a legible warning label.**
- **Keep the tool and its handle dry, clean and free from oil and grease.** Always use a clean cloth when cleaning. Never use brake fluids, gasoline, petroleum-based products, or any strong solvents to clean your tool. Following this rule will reduce the risk of loss of control and deterioration of the enclosure plastic.

OPERATION SAFETY

- **Do not use tool if trigger does not actuate properly.** Any tool that cannot be controlled with the trigger is dangerous and must be repaired.
- **Check operation of the workpiece contact mechanism frequently.** Do not use the tool if the workpiece contact mechanism is not working correctly as accidental driving of a nail may result. Do not interfere with the proper operation of the workpiece contact mechanism.
- **Always assume that the tool contains nails.**
- **Do not carry the tool from place to place holding the trigger.** Accidental discharge could result.
- **Always handle the tool with care:**
 - Respect the tool as a working implement.
 - Never engage in horseplay.
 - Never pull the trigger unless nose is directed toward the work.
 - Keep others a safe distance from the tool while tool is in operation as accidental actuation may occur, possibly causing injury.

- **Choice of triggering method is important.** Check manual for triggering options.
- **Do not hold the tool by the front of the magazine.** Do not put hands, head, or other parts of your body near the bottom of the magazine where the nail exits the tool, as serious personal injury could result.
- **Do not point the tool toward yourself or anyone whether it contains nails or not.**
- **Do not actuate the tool unless you intend to drive a nail into the workpiece.**
- **Always ensure that the workpiece contact is fully positioned above the workpiece.** Positioning the workpiece contact only partially above the workpiece could cause the nail to miss the workpiece completely and result in serious personal injury.
- **Do not drive nails near edge of material.** The workpiece may split causing the nail to ricochet, injuring you or a co-worker. Be aware that the nail may follow the grain of the wood, causing it to protrude unexpectedly from the side of the work material or deflect, possibly causing injury.
- **Keep hands and body parts clear of immediate work area.** Hold workpiece with clamps when necessary to keep hands and body out of potential harm. Be sure the workpiece is properly secured before pressing the fastener against the material. The workpiece contact may cause the work material to shift unexpectedly.
- **Keep face and body parts away from back of the tool cap when working in restricted areas.** Sudden recoil can result in impact to the body, especially when nailing into hard or dense material.
- **During normal use the tool will recoil immediately after driving a fastener.** This is a normal function of the tool. Do not attempt to prevent the recoil by holding the nailer against the work. Restriction to the recoil can result in a second fastener being driven from the nailer. Failure to heed this warning can result in serious personal injury.
- **Do not drive fasteners on top of other fasteners or with the tool at an overly steep angle as this may cause deflection of fasteners which could cause injury.**

LOADING TOOL

- **Do not load the tool with fasteners when any one of the operating controls is activated.**
- **Never place a hand or any part of body in fastener discharge area of tool.**
- **Never point tool at anyone.**
- **Do not pull the trigger or depress the workpiece contact as accidental actuation may occur, possibly causing injury.**

FEATURES

- 20V Lithium-ion Battery Power
- Brushless Motor Technology
- Adjustable Nailing Power
- Select Fire Button
- Adjustable Depth
- Led Light Indicator
- Belt Hook
- Drives Up To 750 Nails / Charge

SPECIFICATIONS

| | |
|---------------------------|-------------------|
| INPUT VOLTAGE: | DC 20V Max |
| BATTERY TYPE: | Freeman F20 |
| MAGAZINE CAPACITY: | 50 Pcs |
| FASTENER TYPE: | 34° Framing Nails |
| FASTENER RANGE: | 2" to 4" |
| FIRING SPEED: | Up to 90 pcs/min |

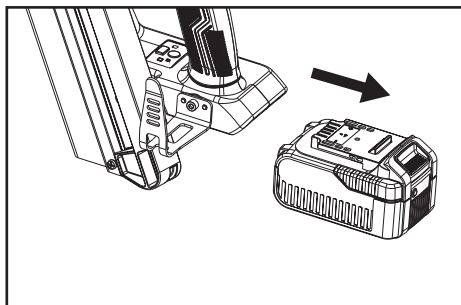
OPERATION

▲ WARNING:
Do not allow familiarity with products to make you careless. Remember that a careless fraction of a second is sufficient to inflict severe injury.

▲ WARNING:
Always remove battery pack from the tool when you are assembling parts, making adjustments, cleaning, or when not in use. Removing battery pack will prevent accidental starting that could cause serious personal injury.

REMOVING BATTERY PACK

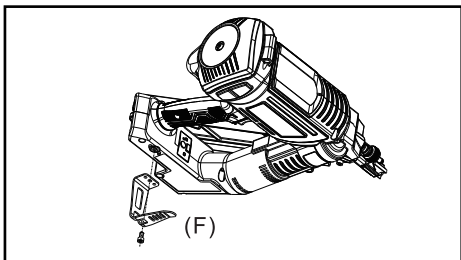
1. Press battery release button.
2. Pull battery free of the tool body.



ATTACH BELT HOOK

The belt hook can be installed on either side of the nailer depending on operator preference.

1. Remove the battery pack or press the Power Button (F) to turn off the tool before installing belt clip or hanging the tool on your belt.
2. Align belt clip and screw tightly with side screw hole.
3. Tighten securely using a M4 Hex Wrench. (Included)

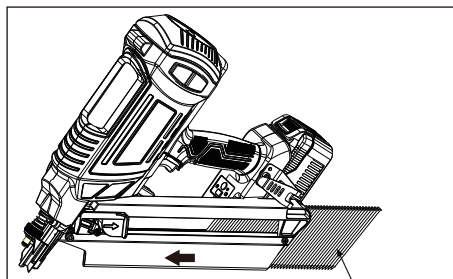


LOADING FASTENERS

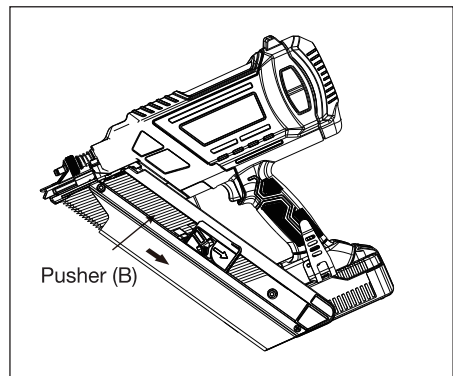
1. Insert strip of fasteners from the rear of magazine (A). Be sure the fasteners are pointed downward.
2. This tool uses a spring loaded bypass lever in order to load and unload the nails. Once the nails are properly inserted, pull the pusher (B) completely back.
3. Once the pusher hits the back of magazine, allow the pusher to slide forward and engage the nails, pushing them to the nose of the tool.

▲ WARNING:

Keep the tool pointed away from yourself and others when loading nails. Failure to do so could result in possible serious personal injury.



Rear of Magazine (A)



Pusher (B)

▲ WARNING:

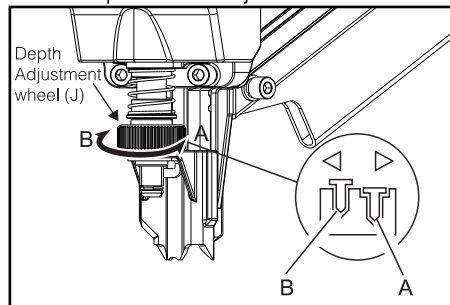
Use only the nails recommended for use with this tool. The use of any other nails can result in tool malfunction, leading to serious injuries.

▲ WARNING:

Never load nails with the workpiece contact or trigger activated. Doing so could result in possible serious personal injury.

DEPTH ADJUSTMENT

The driving depth may be adjusted. It is advisable to test the depth on a scrap workpiece to determine the required depth for the application. To achieve the desired depth, use the depth of drive adjustment on the tool.



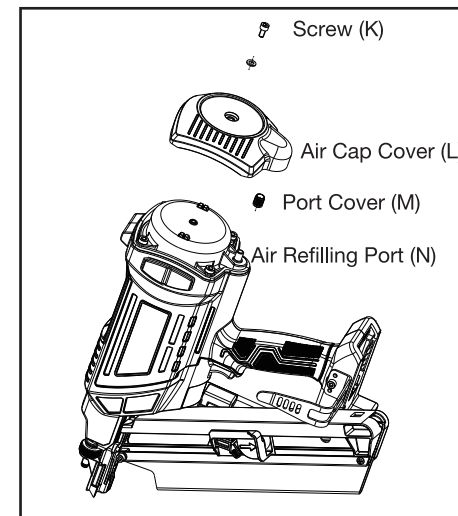
1. Remove battery pack from the tool, if installed.
2. Turn the Depth Adjustment Wheel (J) left or right to change the driving depth.
3. Reinstall battery
4. Drive a test nail after each adjustment until the desired depth is set.

NOTE: Set depth of drive at the shallowest depth that will meet your needs.

REFILLING THE AIR TANK PRESSURE

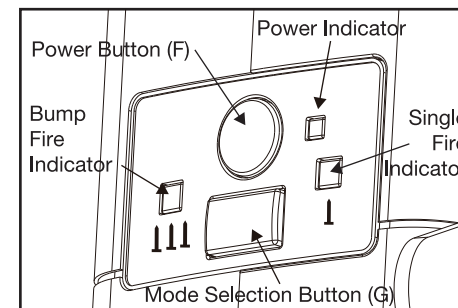
After the initial use, you may notice a decrease in performance. Refilling the air pressure tank to 85 psi can help restore the tool's performance.

1. Remove battery pack.
2. Remove fastener strip from magazine.
3. Loosen the Screw (K) with included wrench.
4. Take off the Air Cap Cover (L).
5. Twist slightly and remove the Air Refilling Port Cover (M).
6. Connect an inflator to the Air Refilling Port (N) and pressurize the tank to a maximum of 110 psi.
7. Disconnect the air compressor and replace the Air Refilling Port Cover (M).
8. Screw the Air Cap Cover (L) to the top of the tool with included wrench.



SETTING TOOL FIRING MODE

1. Push the mode selection button (G) to select single sequential fire. This mode requires the trigger to be pulled each time a fastener is driven. The tool can be actuated by depressing the work contact element against the work surface after pulling the trigger.
2. Push the mode selection button (G) to select bump fire. This will enable you to fire a shot by holding down the trigger and pressing the nose of the gun down on the work piece as many times as is necessary.



LED WORK-LIGHT

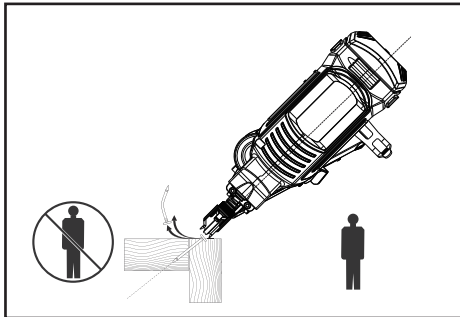
The LED Work-light provides feedback to indicate whether the battery pack is charged sufficiently and/or if the tool is functioning properly.

- If work-light is flashing, install fully charged battery. If light continues to flash, see Troubleshooting section for more information.
- If the LED light goes out on your nailer, the unit has timed out for your protection. Lift tool from the workpiece and release trigger to reactivate the nailer before beginning next drive cycle.

DRIVING NAILS AT AN ANGLE

When driving nails at an angle, make sure that the tool is pointed away from yourself and others, and is positioned correctly. Driving at an angle that is too steep may:

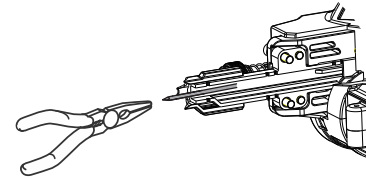
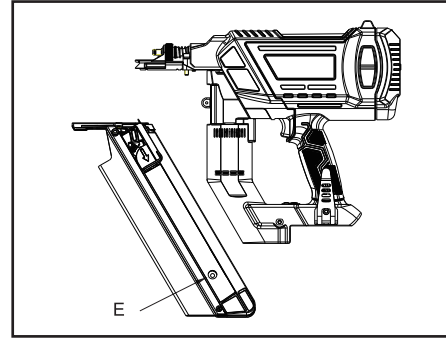
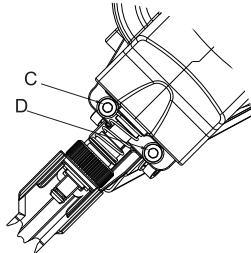
- Cause the nail to miss the workpiece
- Cause the nail to ricochet
- Cause the workpiece to splinter, causing the nail to come back towards the operator



CLEARING JAMS

Occasionally, a fastener may become jammed in the firing mechanism of the tool, making the tool inoperable. To remove a jammed fastener, follow the steps below:

1. Remove battery pack.
2. Remove fastener strip from magazine.
3. Use pliers or a screwdriver to clear the jammed fastener. In the event of a severe jam the magazine may require magazine unit removal to clear the jams.
4. Using the included wrench to loosen the C,D,E three screws, C and D screw are in the front of the nose. E screw is at the back of the magazine.
5. Removing the magazine, this should expose the jammed fastener and allow for easy clearing.
6. Remove the bent nail, using needle-nose pliers if necessary.
7. Reverse steps to replace the magazine.



▲ WARNING:
Remove your finger from the trigger when not driving nails. Always carry the tool by the handle only.

▲ WARNING:
The tool must be allowed to recoil away from the work piece. Do not drive a nail on top of another nail.

▲ WARNING:
During normal use the tool will recoil immediately after driving a fastener. This is a normal function of the tool. Do not attempt to prevent the recoil by holding the nailer against the work. Restriction to the recoil can result in a second fastener being driven from the nailer. Failure to heed this warning can result in serious personal injury.

▲ WARNING:
Always know the operational mode of the tool before using. Failure to know the operational mode could result in death or serious personal injury.

BATTERIES/BATTERY RECYCLING

These batteries will wear out over time, like all batteries. If this happens, do not disassemble the battery and attempt to fix it. This could cause serious burns, especially when wearing rings and jewelry. To have the longest possible battery life, we suggest the following.

- Once a battery pack has been fully charged remove it from the charger.
- The battery should be stored in a temperature that is below 80°F and away from moisture.
- Batteries should be stored with a 30%-50% charge.
- If a battery has been stored for six months or more charge the battery as normal.

Please recycle all worn batteries. This battery contains lithium-ion batteries. Local and state regulations may prohibit disposal of lithium-ion batteries in ordinary trash. Consult your local waste authority for information regarding available recycling and/or options.

MAINTENANCE

CLEANING THE NAIL CHANNEL

Problems with driving nails or cycling of nails while firing may be due to glue residue from the nail strips. If this is the case clean the area around the driving mechanism.

- Remove the tool battery.
- Slide magazine cover down to remove nails and expose the nail channel.
- Use a small amount of air tool oil on a clean cloth to swab and wipe down the nail channel, until all traces of glue are removed.
- Reinstall nails in the magazine and close the magazine cover.

COLD WEATHER OPERATION

When you are operating the tool in below freezing environments:

1. Before using the tool be sure to keep it as warm as possible
2. Fire the tool into a scrap piece of material 5 to 6 times.

TROUBLESHOOTING

| PROBLEM | POSSIBLE CAUSES | SOLUTION |
|---|---|---|
| Tool will not start | <ul style="list-style-type: none"> • Battery pack is not properly connected. • Low battery charge or damaged battery. • Wrong battery. • The Power button (F) is off | <ul style="list-style-type: none"> • Reinstall the battery pack to make sure it is locked in place. • Check charge level or replace battery pack if necessary. • Use only recommended battery. • Turn on the Power button (F) |
| Low power when shooting | <ul style="list-style-type: none"> • Inadequate air pressure supply. • Exposure to low temperatures | <ul style="list-style-type: none"> • Verify adequate air supply. Add air to the tool through the air refilling port (N) • Allow tool to warm to proper operating temperature. |
| Tool jams frequently | <ul style="list-style-type: none"> • Incorrect fasteners • Damaged fasteners • Loose magazine • Dirty magazine | <ul style="list-style-type: none"> • Use only recommended fasteners. • Replace fasteners. • Tighten screws. • Clean magazine. |
| Overheating | <ul style="list-style-type: none"> • Forcing tool to work too fast. | <ul style="list-style-type: none"> • Allow tool to work at normal rate. • Stop and wait for 5 minutes. |
| Tool skips driving fastener or cycles without fastener | <ul style="list-style-type: none"> • Damaged or worn drive blade • Worn or damaged seals or bumper. • Debris in nosepiece • Incorrect fasteners • Drive blade is not returned to original position | <ul style="list-style-type: none"> • Replace driver blade. • Replace the damaged parts. • Clean base area • Use only recommended fasteners. • Depress the safety against the working surface, pull the trigger. The 2nd shot will be normal. |

LED LIGHT FUNCTIONS

| LED LIGHT SCENARIO | TOOL STATUS | ACTION REQUIRED |
|---------------------------------------|--|--|
| Solid Green Light (No Flashes) | <ul style="list-style-type: none"> • Normal | <ul style="list-style-type: none"> • No Action Needed |
| Flashing Red Light | <ul style="list-style-type: none"> • Jam Mode • Using wrong battery • Low battery charge • Overheating | <ul style="list-style-type: none"> • Clear Jam-See Clearing a Jammed Fastener in operation • Check charge level or replace battery pack if necessary. • Allow tool to cool to proper operating temperature. (The LED light will be green again) |
| No Light | <ul style="list-style-type: none"> • Battery pack is not properly connected. | <ul style="list-style-type: none"> • Reinstall the battery pack to make sure it is locked in place. |

WARRANTIES

This warranty includes FREEMAN brand lithium battery tools, battery packs, and chargers. The warranty terms are as follows:

Tools

1. The whole machine has a conditional warranty. professional users have a six-month warranty but the number of nails exceeds 50,000 are not covered by the warranty, and industrial users are not covered by the warranty.
2. During the warranty period, the quality of the product is affected due to material defects or workmanship problems and the resulting failures can enjoy free warranty services.
3. The wearing parts are not covered by the warranty. The wearing parts include but are not limited to needle components, bumpers, buffers, drive shafts, dynamic parts, coil springs, etc.
4. Abnormal use, special modification and industrial users are not covered by the warranty.
5. Damage caused by falling, water, collision, etc. caused by improper use, storage and transportation is not covered by the warranty.
6. The use of non-original matching battery packs to cause tool damage is not covered by the warranty.

Battery pack

1. The battery has a conditional warranty of 12 months.
2. During the effective warranty period of the battery, if the battery cannot be charged or discharged normally, you can enjoy free warranty service.
3. The battery is not covered by the warranty if it is charged and discharged more than 300 times or the use time (based on the time of purchase) exceeds 12 months (either of the two conditions are met without warranty service).
4. The capacity attenuation caused by the normal use of the battery is a normal phenomenon and is not covered by the warranty.
5. Abnormal use, special modification users, use on non-matching tools, etc., are not covered by the warranty.
6. Damage caused by falling, water, collision, etc. caused by improper use, storage and transportation is not covered by the warranty.
7. Damage to the battery pack caused by the use of non-original chargers is not covered by the warranty.

Charger

1. The charger has a conditional warranty of twelve months.
2. If the charger cannot provide normal charging or indicates abnormal state, you can enjoy free warranty service.
3. Abnormal use, specially modified users, used in non-matching battery packs, etc., are not covered by the warranty.
4. Damage caused by falling, water, collision, etc. caused by improper use, storage and transportation is not covered by the warranty.
5. Damage to the charger caused by the use of non-original battery packs is not covered by the warranty.

Other instructions

1. If proof of purchase is not provided when warranty service is requested, the date of manufacture of the product will be used to determine the warranty period.
2. This warranty does not apply to repairs, misuse, alteration, abuse, normal wear and tear, lack of maintenance or damage caused by accidents by anyone other than our authorized personnel.
3. Under no circumstances shall our company be liable for any incidental, special, consequential, punitive damages or any costs, attorneys' fees, expenses, losses or delays, including but not limited to any claims for lost profits.
4. This warranty is exclusive and in lieu of all other express warranties, written or oral.

