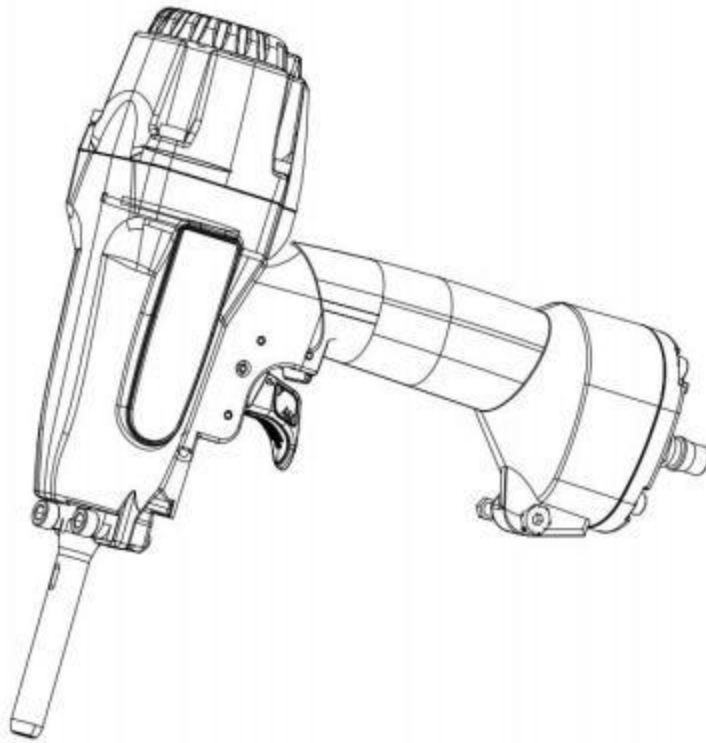


Operating Manual

NP45 Nail Remover



NOTE: Please read and fully understand the instructions in this manual before operating the pneumatic power tool. Carefully read through this OPERATOR'S MANUAL to ensure efficient, safe operation. It is recommended that the Manual be kept readily available as an important reference when using this tool.



IMPORTANT INFORMATION



WARNING: The warnings, cautions and instructions discussed in this instruction manual cannot cover all possible conditions and situations that may occur. It must be understood by the operator that common sense and caution are factors which cannot be built into this product but must be supplied by the operator.

When using the tool, basic safety precautions should always be followed to reduce the risk of personal injury and damage to equipment.

Read and understand tool labels and operating instructions, safety precautions and warnings in this manual before operating or maintaining this nail remover.

Failure to follow warnings could result in **DEATH** or **SERIOUS INJURY**.

Most accidents that result from the operation and maintenance of nail remover are caused by the failure to observe basic safety rules or precautions. An accident can often be avoided by

recognizing a potentially hazardous situation before it occurs and by observing appropriate safety procedures.

Basic safety precautions are outlined in the "**SAFETY**" section of this manual and in the sections which contain the operation and maintenance instructions. Hazards that must be avoided to prevent bodily injury or tool damage are identified as **DANGERS** or **WARNINGS** on the nail remover and in this manual.

Never allow the nail remover to be operated by children or individuals who have not reviewed this manual.

OPERATE THE NAIL REMOVER ACCORDING TO THIS MANUAL.



WARNING!

Always follow the tool manufacturer's safety and maintenance instructions.

Always wear safety glasses with side shields when operating or servicing tools.

Always disconnect the air supply from the tool and empty the magazine when servicing tools.

**SAVE THIS MANUAL
FOR FUTURE REFERENCE!**

WARNING:

The operating instructions shall draw attention to the following.

a) Only those fasteners listed in the operating instructions may be used in the fastener driving tools.

NOTE: The fastener driving tool and the fasteners listed in the operating instructions must be seen as one unit system in terms of technical safety.

b) Only the main energy and the lubricants listed in the operating instructions may be used;

c) Fastener driving tools marked with an inverted equilateral triangle standing on one point may only be used with an effective safety yoke.

d) Fastener driving tools equipped with contact actuation or continuous contact actuation, marked with the symbol “Do not use on scaffoldings, ladders”, shall not be used for specific application for example:

When changing one driving location to another involves the use of scaffoldings, stairs, ladders, or ladder-like constructions, e.g. roof laths, closing boxes or crates, fitting transportation safety systems e.g. on vehicles and wagons.

e) For the maintenance of fastener driving tools, only spare parts specified by the manufacturer or his authorized representative shall be used.

f) Repairs shall be carried out only by agents authorized by the manufacturer or by other specialists, having due regard to the information given in the operating instructions.

NOTE: Specialists are those who, as a result of professional training or experience, have sufficient expertise in the field of fastener driving tools and sufficient familiarity with relevant governmental industrial protection provisions, accident prevention regulations, directives and generally recognized technical regulations (e.g. CEN- and CENELEC-standards), to be able to assess the safe working condition of fastener driving tools.

g) Stands for mounting the fastener driving tools to a support for example a worktable, shall be designed and constructed by the stand manufacturer, in such a way that the fastener driving tool can be safely fixed for the intended use, thus for example avoiding damage, distortion or displacement.

Additional instructions for fastener driving tools operated by compressed air.

a) Fastener driving tools operated by compressed air shall only be connected to compressed air lines where the maximum allowable pressure cannot be exceeded by a factor of more than 10%, which can for example be achieved by a pressure reduction valve which includes a downstream safety valve.

b) When using fastener driving tools operated by compressed air, particular attention must be paid to avoid exceeding the maximum allowable pressure.

c) Fastener driving tools operated by compressed air should only be operated at the lowest pressure required for the work process at hand, in order to prevent unnecessarily high noise levels, increased wear and resulting failures.

d) Hazards caused by fire and explosion when using oxygen or combustible gases for operating compressed air operated fastener driving tools.

SAFETY INFORMATION



WARNING:

BEFORE USING THE TOOL, READ CAREFULLY AND UNDERSTAND THE FOLLOWING SAFETY INSTRUCTIONS. FAILURE TO FOLLOW WARNING COULD RESULT IN DEATH OR SERIOUS INJURY.



1. WEAR SAFETY GLASSES OR GOGGLES.

Danger to the eyes always exists due to the possibility of dust being blown up by the exhaust air or of a fastener flying up due to the improper handling of the tool. For these reasons, safety glasses or goggles shall always be worn when operating the tool. The employer and/or user must ensure that proper eye protection is worn. The employer is responsible for enforcing the use of eye protection equipment by the tool operator and all other personnel in the work area. NOTE: Non-side shielded spectacles and face shields alone do not provide adequate protection.



2. EAR PROTECTION MAY BE REQUIRED IN SOME ENVIRONMENTS.

As the working condition may include exposure to high noise levels which can lead to hearing damage, the employer and user should ensure that any necessary hearing protection is provided and used by the operator and others in the work area.



3. DO NOT USE ANY POWER SOURCE EXCEPT AN AIR COMPRESSOR.

The tool is designed to operate on compressed air. Do not operate the tool on any other high-pressure gas, combustible gases (e.g. Oxygen, acetylene, etc.) since there is the danger of an explosion. For this reason, absolutely so not use anything other than an air compressor to operate the tool.

4. OPERATE WITHIN THE PROPER AIR PRESSURE RANGE.



The tool is designed to operate within an air pressure range of 70 psi to 100 psi (5 to 7 bar). The pressure should be adjusted to the type of work being fastened. The tool shall never be operated when the operating pressure exceeds 120 psi. (8.3 bar).



5. DO NOT OPERATE THE TOOL NEAR A FLAMMABLE SUBSTANCE.

Never operate the tool near a flammable substance (e.g., thinner, gasoline, etc.). Volatile fumes from these substances could be drawn into the compressor and compressed together with the air and this could result in an explosion.

6. DO NOT USE A WRONG FITTING.

The connector on the tool must not hold pressure when the air supply is disconnected. If a wrong fitting is used, the tool can remain charged with air after disconnecting and thus will be able to drive a fastener even after the line of air is disconnected, possibly causing injury.

7. DO NOT TOUCH THE TRIGGER UNLESS YOU INTEND TO REMOVE A FASTENER.

Whenever the air supply is connected to the tool, never touch the trigger unless you intend to remove a fastener from the work. It is dangerous to walk around carrying the tool with the trigger pulled, and this and similar actions should be avoided.

8. NEVER POINT THE DISCHARGE OUTLET TOWARD YOURSELF AND PERSONNEL.

If the discharge outlet is pointed toward people, serious accidents may be caused when misfiring. Be sure the discharge outlet is not pointed toward people when connecting and disconnecting the hose. Loading and not loading the fasteners or similar operations.

9. PLACE THE DISCHARGE OUTLET TO WORK PROPERLY.

Failure to place the discharge outlet of the nose in a proper manner can result in a fastener flying up and is extremely dangerous.

10. KEEP HANDS AND BODY AWAY FROM THE DISCHARGE OUTLET

When using the tool, never place a hand or any part of body in fastener discharge area of the tool. It is very dangerous to hit the hands or body by mistake.

11. DO NOT REMOVE FASTENERS CLOSE TO THE EDGE AND CORNER OF THE WORK AND VERY THIN MATERIAL

The work piece is likely to split, and the fastener could fly and hit someone.

12. CHECK OPERATION OF THE CONTACT TRIP MECHANISM FREQUENTLY IN CASE OF USING A CONTACT TRIP TYPE TOOL

Do not use the tool if the trip is not working correctly. Do not interfere with the proper operation of the contact trip mechanism.

13. WHEN USING THE TOOL OUTSIDE OR ELEVATED PLACE.

If working on roofs or similar slanted surfaces, start working at the lower part and gradually work your way up. Working backward is dangerous as you may lose your foot place. Secure the hose at a point close to the area you are going to work. Accidents may be caused due to the hose being pulled inadvertently or getting caught.

14. NEVER USE THE TOOL IF ANY PORTION OF THE TOOL CONTROLS (e.g., TRIGGER, CONTACT ARM) IS INOPERABLE DISCONNECTED, ALTERED OR NOT WORKING PROPERLY.

15. MAINTAIN A SAFE DISTANCE. Ensure bystanders are kept at a safe distance from the work area.

16. AVOID RICOCHETING NAILS. Place a soft material (e.g., a thick rubber mat or dense fabric) on the floor around your workspace to absorb impact and prevent nails from ricocheting. Never use the tool in confined spaces where nails may rebound dangerously.



17. DO NOT USE ON SCAFFOLDINGS LADDERS.

TECHNICAL DATA

Type of tool	NP45 Nail Remover
Dimensions	275 x 62 x 273 mm
Weight (without fasteners)	1.27 kgs
Recommended pressure range	4.8 ~ 8.3 bar

Applications

Easily removes bent and straight nails from wooden pallets, boxes and crates, etc.

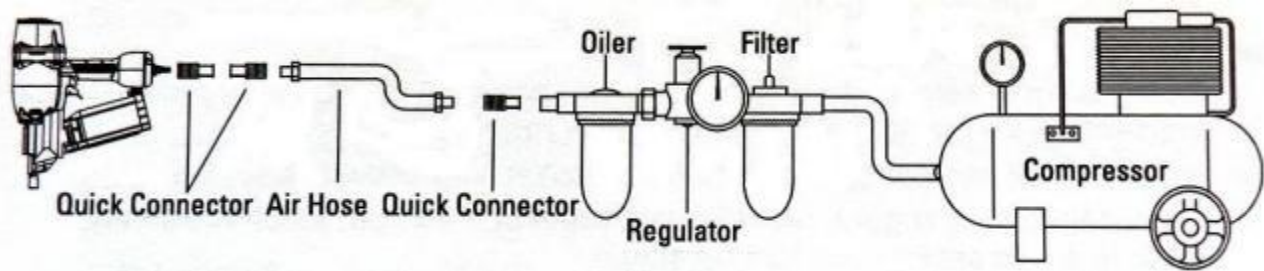
NAIL REMOVER CONNECTION AND OPERATION

NOTE: The information contained in this manual is designed to assist you in the safe operation of the nail remover. Some illustrations in this Manual may show details or attachments that are different from those on your nail remover.

Air Supply, Connections and Operating Pressure

Read section titled **SAFETY**. Make sure of the following before operation: **Air Supply Power Source (Compressor)**

- . Use only clean, dry, regulated compressed air as a power source for this nail remover.
- . NEVER use oxygen or other bottled gases, as an explosion may occur.
- . Use suitable air compressors used to supply compressed air to this nail remover.
- . Moisture or oil in the air compressor may accelerate wear and corrosion in the nail remover.
- . Drain daily.



Connections

1. Fittings

Install a female coupler to the hose. The female coupler will connect to the quick release that fits the tool.

2. Filter-Regulator-Lubricator

- NEVER connect nail remover to pressure which potentially exceeds 120psi.
- Filter-regulator-lubricator units supply an optimum condition for the nail remover and extend the life of the nail remover. These units should always be used.

Filter

- The filter removes moisture and dirt mixed in compressed air.
- Keep the filter clean by maintaining tool regularly.
- Drain daily.

Regulator

- The regulator controls the operating pressure for safe operation of the nail remover.
- Inspect the regulator before operation to be sure it operates properly.

Nail remover Connection and Operation Lubricator

- The lubricator supplies and oil mist to the nail remover.
- Inspect the lubricator before operation to be sure the supply of lubricant is adequate.
- If an inline lubricator is not used, a few drops of oil will need to be added to the nail remover inlet before each use.

3. Air Hose

Air hose must have a minimum working pressure rating of 180 psi.

Hose has a min. ID of 1/4"(ISO 7-1) and max. length of no more than 17'(5 meter).

The supply hose should contain a fitting that will provide "quick disconnecting" from the male plug on the tool.

Operating Pressure

- Recommended operating pressure range is 70 to 100 psi.
- Maximum permissible operating pressure is 120 psi.
- Select the operating pressure within this range for the best fastener performance. The nail length and thickness and the hardness of the wood are factors in determining what the pressure should be set at.
- Do not exceed this recommended operating pressure.

NOTE: Dirt and water in the air supply are major causes of wear in the tool. An air filter will help to get the best performance and minimum wear from the tool. Frequent, but not excessive, lubrication is required for the best performance. Oil added through the air line connection will lubricate the internal parts.

WARNING



NEVER connect nail remover to pressure which potentially exceeds 120psi.
DO NOT USE THE WRONG FITTING ON NAIL REMOVER. The nail remover and air hose must have a hose coupler so that all pressure is removed from the nail remover when the coupler is disconnected. The connector on the tool must not hold pressure when the air supply is disconnected. If the wrong fitting is used, the tool can remain charged with air after disconnecting and thus will be able to drive a nail even after the air line is disconnected, possibly causing injury.

DANGER



NEVER use oxygen or other bottled gases, as an explosion may occur.

INSTRUCTION FOR OPERATION

1. Before operation

- (1) Wear safety glasses or goggles
- (2) Do not connect the air supply
- (3) Inspect screw tightness
- (4) Check operation of the contact arm & trigger if moving smoothly
- (5) Connect the air supply
- (6) Check the air-leakage. (The tool must not have air-leakage.)
- (7) Hold the tool with finger-off the trigger, then push the contact arm against the workpieces. (The tool must not operate.)
- (8) Hold the tool with contact arm free from workpiece and pull the trigger. (The tool must not operate.)

2. Operation

Keep hands and body away from the discharge outlet when driving the fasteners because of the danger of hitting the hands or body by mistake.

Test operation

- (1) Adjust the air pressure to 70psi. (5 bar) and connect the air supply.
- (2) Without touching the trigger, depress the contact arm against the workpiece. Pull the trigger. (The tool must fire the fastener.)
- (3) With the tool off the workpiece, pull the trigger.

- (4) Adjust the air pressure as much as the lowest possible according to the diameters and length of fastener and the hardness of workpiece.

MAINTENANCE AND INSPECTION

Read the section title SAFETY.

SERVICE AND REPAIRS

All quality tools will eventually require servicing or replacement of parts due to wear from normal use. It is recommended that these operations should be performed by a professional technician.

NOTE: The information contained in this Manual is designed to assist you in the safe maintenance of the nail remover. Some illustrations in this Manual may show details or attachments that are different from those on your nail remover.

A qualified person should perform repair and maintenance.

Periodic maintenance to be performed:

- . Check that the piston bumper is operating normally. A damaged piston bumper may cause damage to other component parts.
- . Check O-rings for wear or damage. Damaged O-rings may affect overall performance.
- . Make sure all screws are secure. Loose screws may affect overall performance.
- . When repairing a tool, make sure the internal parts are clean and lubricated.

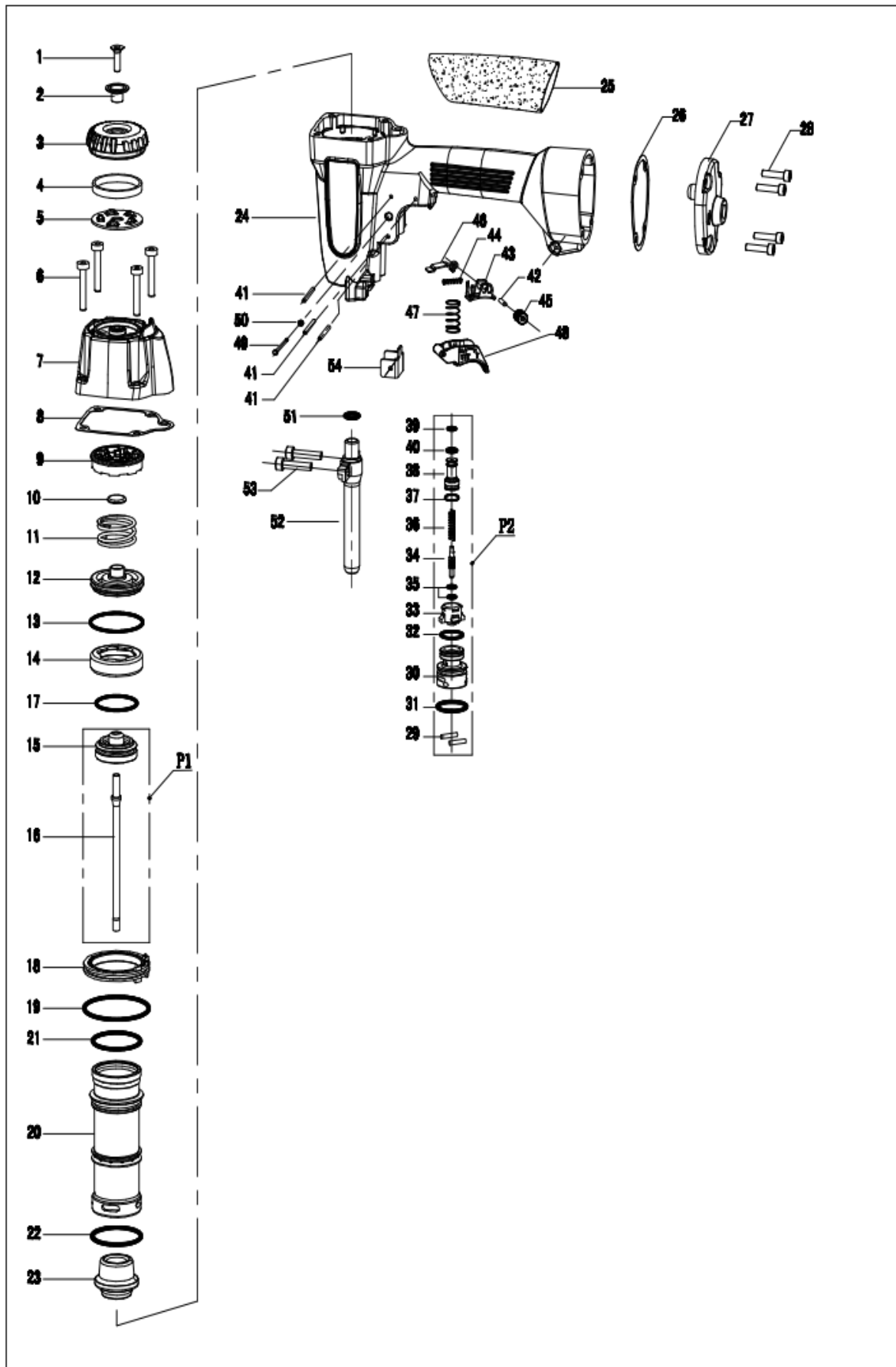
Storing

- . When not in use for an extended period, apply a thin coat of lubricant to the steel parts to avoid rust.
- . The nail remover should be stored in a warm and dry place when not in use. Do not store the nail remover in a cold weather environment.

PARTS LIST – NP45

NO.	CODE	DESCRIPTION	NO.	CODE	DESCRIPTION
1	610560	BOLT M6X20	29	640250	STRAIGHT PIN B3X15
2	321600	BUSHING	30	421820	TRIGGER VALVE CAGE
3	410490	EXHAUST COVER	31	510410	O-RING 18.3X2.65
4	321590	EXHAUST FILTER (A)	32	511240	O-RING 11.8X2.65
5	321580	EXHAUST FILTER (B)	33	420080	TRIGGER VALVE CAP
6	610120	BOLT M5X25	34	320110	TRIGGER STEM
7	110380	CYLINDER CAP	35	510030	O-RING 2.5X1.4
8	520240	GASKET	36	620050	TRIGGER VALVE SPRING
9	410480	BACK BUMPER	37	511850	O-RING 8.8 × 1.9
10	421000	EXHAUST SEAL	38	330010	TRIGGER VALVE BUSHING
11	620690	COMPRESSION SPRING	39	510180	O-RING 5.8X1.9
12	420990	HEAD VALVE PISTON	40	512680	O-RING 6.8X1.9
13	510550	O-RING 40X2.65	41	640180	ROLL PIN 3X30
14	420970	CYLINDER COLLAR	42	323220	DOWEL PIN
15	310340	PISTON	43	420590	TRIGGER BRACKET
16	324330	DRIVER BLADE	44	620370	ADJUSTER SPRING
17	510480	O-RING 30X3.55	45	110190	ADJUSTER BUTTON
18	420980	CYLINDER RING	46	320880	CONTACT PLATE
19	510690	O-RING 51.5X2.65	47	620740	SPRING
20	310330	CYLINDER	48	420580	TRIGGER
21	510530	O-RING 38.7X2.65	49	323170	TRIGGER PIN
22	510540	O-RING 38.7X3.55	50	420950	PIN CAP
23	410470	BUMPER	51	510310	O-RING 10X1.8
24	111120	BODY	52	211240	NOSE
25	410460	HANDLE GRIP	53	610210	BOLT M6X22 (Loctite)
26	520250	END CAP SEAL	54	324510	BRACKET
27	110390	END CAP	P1	D324331	DRIVER UNIT
28	610110	BOLT M5X22	P2	T421822	TRIGGER VALVE

TOOL SCHEMATIC – NP45



IMPORTER:

NOBE ApS
Bjødstrupvej 10
DK – 8410 Rønne
Denmark

Tel: + 45 8615 1913
E-mail: info@nobe.dk

www.nobe.dk / www.rgneurope.com